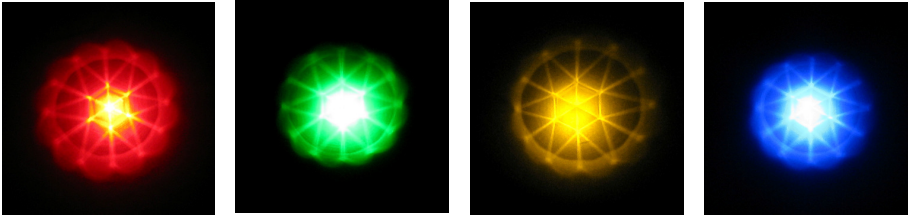
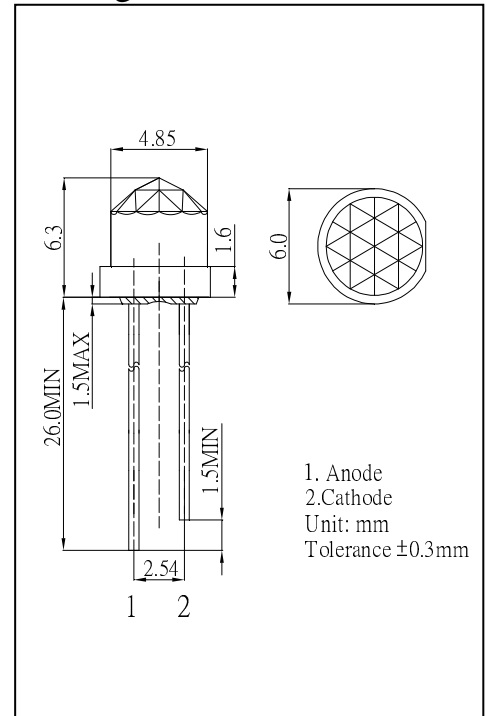


Mono-Color / eDiamond LED Series
Characters

- Directive Characteristics


Package Outlines (Unit : mm)

Absolute Maximum Rating (Ta=25°C)

Item	Symbol	Value		Unit
		B/G	R/Y	
DC Forward Current	I_F	30	50	mA
Pulse Forward Current	I_{FP}	100* ¹	120* ¹	mA
Reverse Voltage	V_R	5	5	V
Power Dissipation	P_D	108	130	mW
Operating Temperature	T_{opr}	-30~+85	-30~+85	°C
Storage Temperature	T_{stg}	-40~+100	-40~+100	°C

*1 Duty 1/10 Pulse Width 10 ms

Electrical And Optical Characteristics (Ta=25°C)

Part Number* ²	Emitting Color	Lens Type	Forward Voltage VF(V)		Dominant Wavelength wd(nm)* ⁵		Luminous Flux (lm)* ³		Reverse Current IR(uA)
			Working Current:IF=20mA						
			Typ.	Max.	Typ.	Max.	Min.	Typ.	
OSB5SAEDD1A	Blue	Water Clear	3.1	3.6	470	475	2.0	2.5	<10
OSG5DAEDD1A	Pure Green	Water Clear	3.1	3.6	525	530	5.0	6.0	<10
OSR5PA5EDD1A	Red	Water Clear	2.1	2.6	624	629	3.0	4.0	<10
OSY5PAEDD1A	Red	Water Clear	2.1	2.6	590	595	3.0	4.0	<10

*2 See table for Luminous Intensity Ranks

*3 Axial Direction (Luminous Intensity)

*4 Please refer to CIE 1931 chromaticity diagram

*5 Devices are sorted by 5nm wavelength ranges