

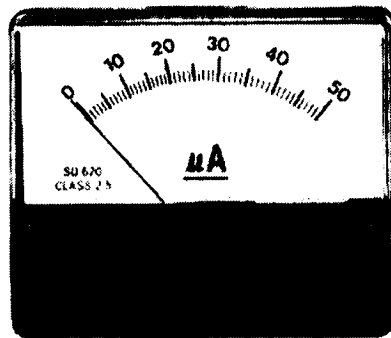
## Panel Meters

Order code	Manufacturer code	Description
48-0300	n/a	50UA MOVING COIL PANEL METER (RC)
48-0305	n/a	100UA MOVING COIL PANEL METER (RC)
48-0310	n/a	1MA MOVING COIL PANEL METER
48-0315	n/a	100MA MOVING COIL PANEL METER
48-0330	n/a	3A MOVING COIL PANEL METER
48-0350	n/a	30V MOVING COIL PANEL METER (RC)

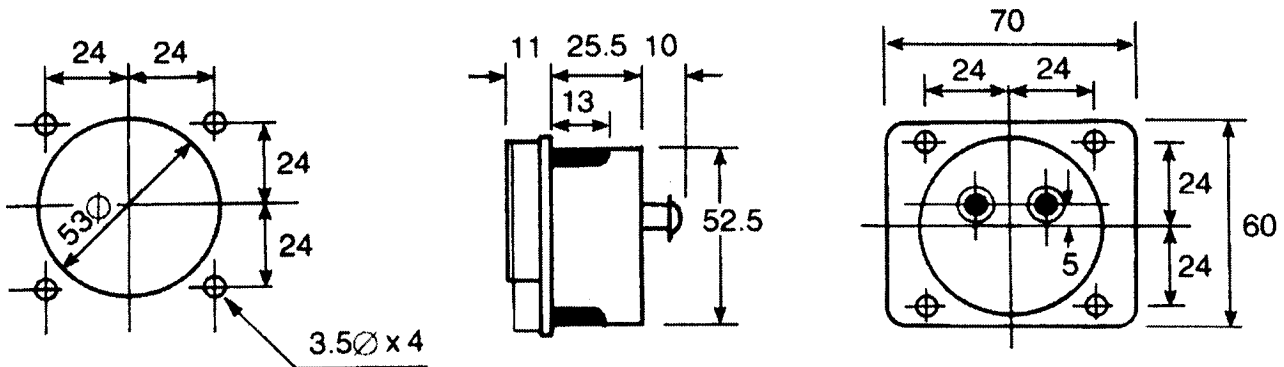
Panel Meters	Page 1 of 2
The enclosed information is believed to be correct, Information may change without notice due to product improvement. Users should ensure that the product is suitable for their use. E. & O. E.	Revision A 20/02/2007

## Moving Coil Meters

### Photograph



### Technical Drawing



### Information

Type	Coil Resistance ( $\Omega$ )
50 $\mu$ A	1,500
0 - 100 $\mu$ A	1,200
0 - 1mA	57
0 - 100mA	57
0 - 3mA	57
0 - 30Vdc	57