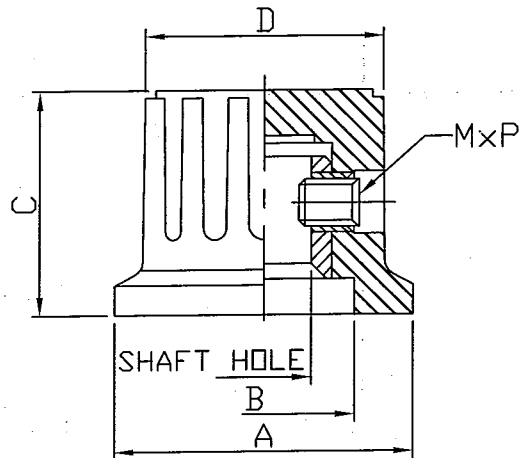
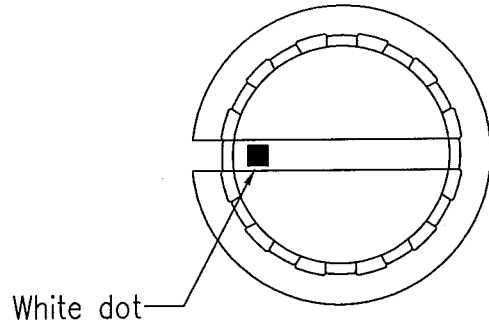


KNOBS

Order code	Manufacturer code	Description
32-0300	n/a	24MM (6.35MM) MATT BLACK CONT. KNOB RC

KNOBS	Page 1 of 2
The enclosed information is believed to be correct, Information may change without notice due to product improvement. Users should ensure that the product is suitable for their use. E. & O. E.	Revision A 20/02/2007



	PN-38A (PN-8C)		PN-38B (PN-8D)		PN-38C (PN-8E)		PN-38D (PN-8F)		
A	ø34.8		ø24.0		ø20.3		ø15.5		
B	ø23.3		ø15.0		ø11.7		ø9.5		
C	18.0		20.0		15.6		14.2		
D	ø29.0		ø19.0		ø15.7		ø12.3		
MxP	4x0.7		4x0.7		3x0.5		3x0.5		
SHAFT HOLE	ø6.4	ø6.1	ø6.4	ø6.1	ø6.4	ø6.1	ø6.4	ø6.1	ø3.2

TOLERANCE: ±0.3mm UNLESS OTHERWISE SPECIFIED.

									△
									△
Date	Name	Description							NO
Drawn	Checked	Approved	SCI BOM NO.			Model Name	POINTER KNOBS		
曹盈芳	<i>[Signature]</i>	<i>[Signature]</i>	Customer No.			Model No.	PN-38(PN-8)		REV.
11/19/'09	<i>[Signature]</i>	<i>[Signature]</i>	Unit	mm	SHIN CHIN INDUSTRIAL CO., LTD.				0