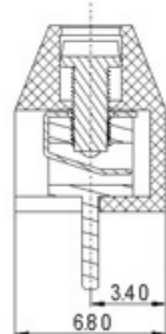
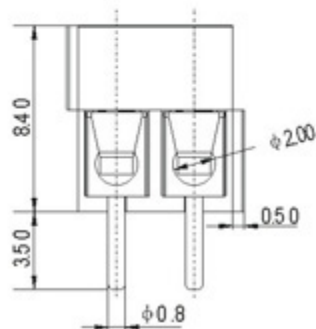
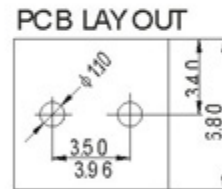
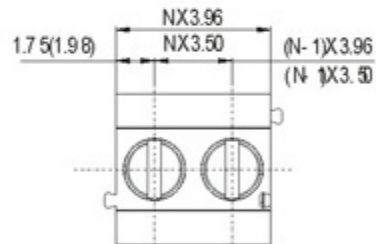
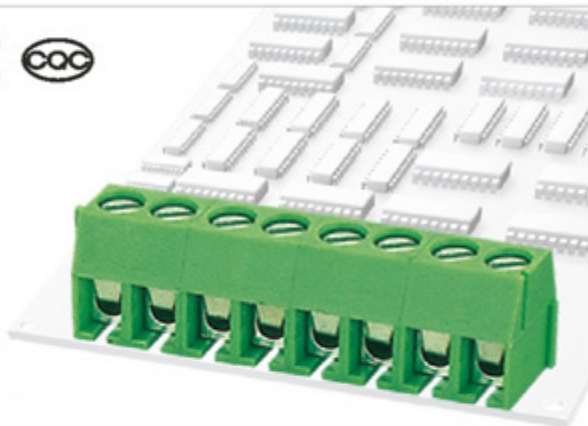


<b>Order code</b>	<b>Manufacturer code</b>	<b>Description</b>
21-3000	n/a	2 WAY 10A TERMINAL BLOCK 3.5MM RC
21-3001	n/a	3 WAY 10A TERMINAL BLOCK 3.5MM RC

	Page 1 of 3
The enclosed information is believed to be correct, Information may change without notice due to product improvement. Users should ensure that the product is suitable for their use. E. & O. E.	Revision A 20/02/2007

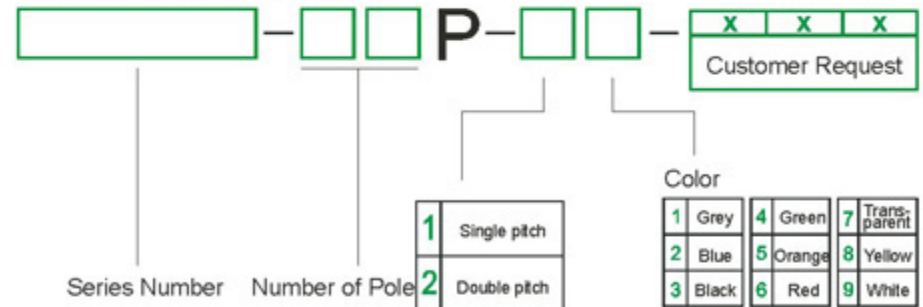


<b>Approval</b>		
<b>Electrical</b>		
Standard	UL	IEC
Rated voltage	300V	130V
Rated current	7A	10A
Wire range	24-18AWG	1.0mm <sup>2</sup>
With standing voltage	AC1250V/1Min	

<b>Mechanical</b>	
Torque	0.2Nm(1.7Lb-In.)
Ambient temperature	-40°C~+105°C
Strip length	5-6mm
<b>Dimensions</b>	
Pitch	3.5mm(.138")/3.96mm(.156")
Poles	2P,3P-24P

<b>Material</b>	
Housing	PA66, UL94V-0
Screws	M2, steel, Cr <sup>3+</sup> Zn plated
Pin header	Brass, Tin plated
Wire guard	Phosphor bronze

## HOW TO ORDER



	NAME

REVISION RECORD				
REV	ECD	DESCRIPTION	DRFT	DATE
△		Drawing revise	Haoyh	03/17/06
△		增加VDE标志	LJH	12/28/07

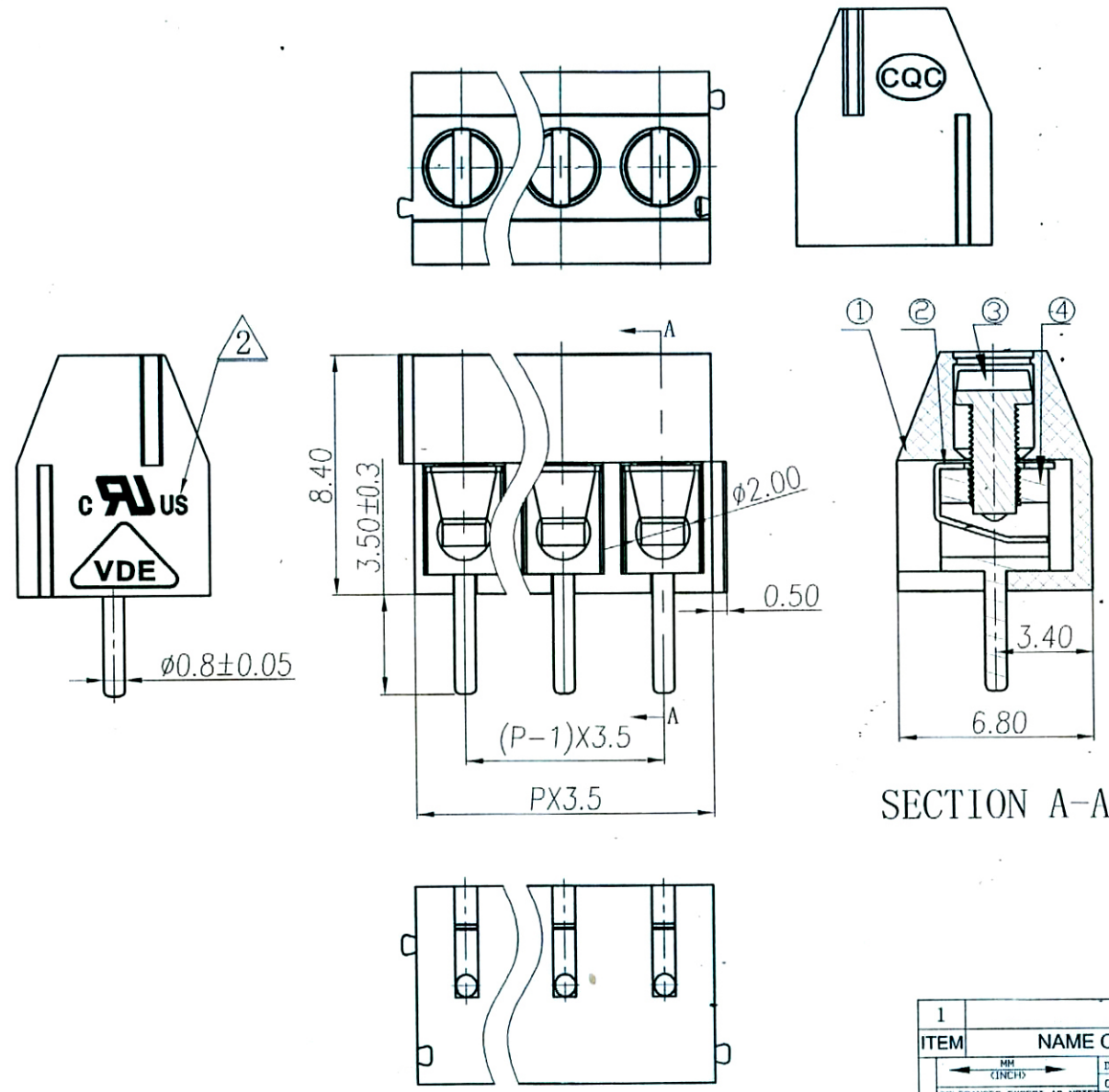


1

Notes:

- Pitch: 3.5mm
- Rated voltage/current: UL 300V/10A  
VDE 130V/10A
- Operation temperatures: -40°C ~ +105°C
- Withstanding Voltage: AC1500V/1Min
- Insulation Resistance: 5000MΩ / DC1000V
- Wire Range: 24-18AWG, 1.0mm<sup>2</sup>
- Max. Torque Value: 2.04kgf.cm
- Undimensioned Tolerances:

Pitch range in mm		Nominal dimension range in mm					
	over 6	over 10	over 30	over 60	over 100	over 150	—
to 6	to 10	to 24	to 30	to 60	to 100	to 150	∩ □
±0.10	±0.15	±0.25	±0.2	±0.3	±0.5	±0.7	±1.0 0.05/10



SECTION A-A

4		4017B00010 (H)	XX	Brass	SnCe
3		S000001400 (H)	XX	Steel	Cr <sup>3+</sup> Zn
2		X000000290 (H)	XX	Phosphor bronze	Ni plated

1		4017A0YXXA (H)	1	PA66	UL94V-0
ITEM	NAME OF PART	NO. OF PART	Q'TY	MATERIAL	NOTES
	MM (INCH)	DATE 04/18/05			
	CHKD Haoyh	DATE 01/10/08			
	MFD	DATE			
	APPLV LSYG	DATE 01/10/08			
	TOLERANCES EXCEPT AS NOTED				
	MM	±			
	.00 ±	±			
	.000 ±	±			
	ANGLES ± 1°				
	FINISH:	/PART NO.			
	THIRD ANGLE PROJECTION	SCALE: 1:1	DO NOT SCALE DRAWING	SHEET 1	OF 1