

Order code	Manufacturer code	Description
55-1822	n/a	LED 5MM PINK 5000MCD (RC)

	Page 1 of 2
The enclosed information is believed to be correct, Information may change 'without notice' due to product improvement. Users should ensure that the product is suitable for their use. E. & O. E.	Revision A 04/07/2003

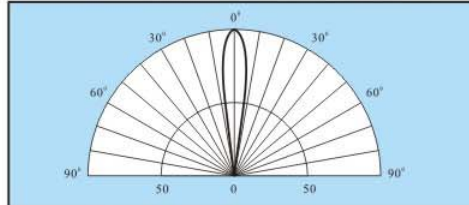
Mono-Color/ Φ 5 Series



Characters

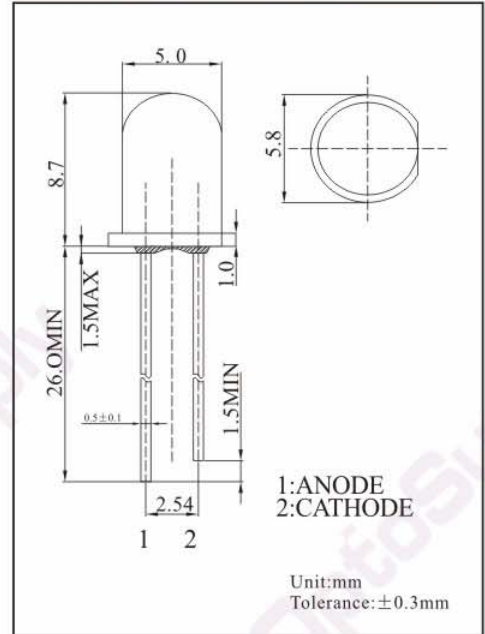
- Viewing angle 15 deg

Directive characteristics (Ta=25°C)



Relative Luminous Intensity

Package Outlines (Unit:mm)



Round Lamp

Absolute Maximum Ratings (Ta=25°C)

Item	Symbol	Value	Unit
DC Forward Current	IF	30	mA
Pulse Forward Current	IFP	100*1	mA
Reverse Voltage	VR	5	V
Power Dissipation	PD	120	mW
Operating Temperature	Topr	-30~+80	°C
Storage Temperature	Tstg	-30~+100	°C

*1 Duty 1/10 Pulse Width 10 ms

Electrical and Optical Characteristics

Part Number*2	Emitting Color	Lens Type	Forward Voltage VF (V)		Chromaticity Coordinates*4				Luminous Intensity Iv (mcd)*3		Reverse Current IR (μ A) AT VR=5V
			Typ.	Max.	x		y		Typ.	Max.	
					Min.	Max.	Min.	Max.			
Working Current: IF=20mA											
OSPW5111A	White	Water Clear	3.4	4.0	0.19	0.29	0.21	0.28	8000	25000	<10
OSPK5111A	Pink	Water Clear	3.4	4.0	0.35	0.45	0.15	0.25	2500	5000	<10

Electrical and Optical Characteristics

Part Number*2	Emitting Color	Lens Type	Forward Voltage VF(V)		Dominant Wavelength λ_d (nm)*5		Luminous Intensity Iv (mcd)*3		Reverse Current IR (μ A) AT VR=5V
			Typ.	Max.	Typ.	Max.	Typ.	Max.	
OSUB5111A	Blue	Water Clear	3.4	4.0	470	475	3500	7000	<10
OSPG5111A	Pure Green	Water Clear	3.4	4.0	525	530	12000	25000	<10
OSBG5111A	Bluish Green	Water Clear	3.4	4.0	505	510	12000	20000	<10
OSSV5111A	Violet	Water Clear	3.4	4.0	400	405	500	1000	<10

- *2 See table for Luminous Intensity Ranks
- *3 Axial Direction (Luminous Intensity)
- *4 Please refer to CIE 1931 chromaticity diagram
- *5 Devices are sorted by 5nm wavelength ranges
- *6 Other types please refer to photo and page 7

Package

Bulk..... 100pieces/bag (Code No.1)
Bulk..... 500pieces/bag (Code No.5)

